

DATA SHEET

Ultra-micro Current Transformer



PN: ZMCT118A

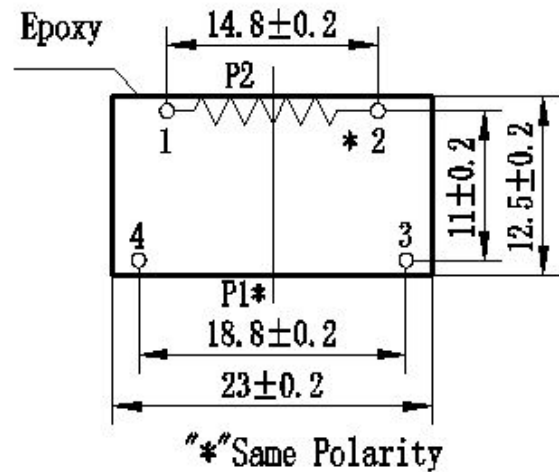
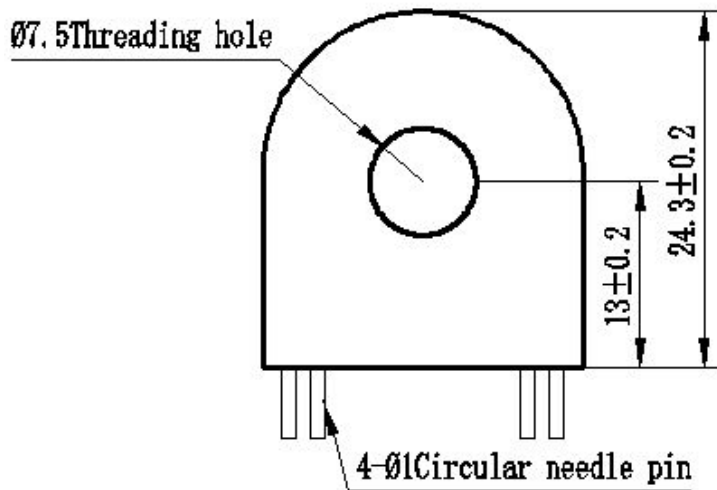
IPN=5A

Feature & Applications

- Small size
- High accuracy
- Good consistency.
- Used for current and power measurement



Structural Parameter:



Remarks: 1 & 2 pin: secondary output.
3 & 4 pin: empty pin.

Front view

Bottom view

The Main Technical Parameters:

Model	CMCT118A
Rated input current	5A
Rated output current	2.5mA
Turns ratio	2000:1
Phase angle error	≤15' (Input 5A, sampling resistor 50Ω)
Linear range	0~40A (sampling resistor 50Ω)
Linearity	≤0.1%(5%dot~120%dot)

Permissible error	$-0.2\% \leq f \leq +0.2\%$ (Input 5A, sampling resistor 50Ω)
Isolation voltage	4500V
Application	Current and power measurement
Encapsulation	Epoxy
Installation	PCB mounting (Pin length > 3mm)
Operating temperature	$-40^{\circ}\text{C} \sim +85^{\circ}\text{C}$

Direction For Use:

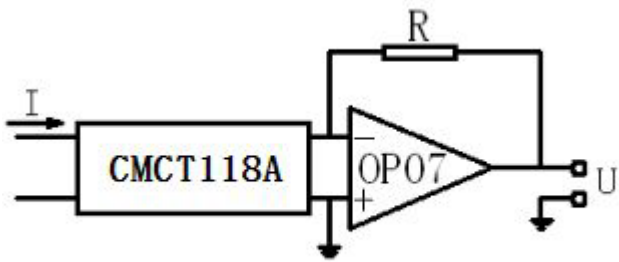
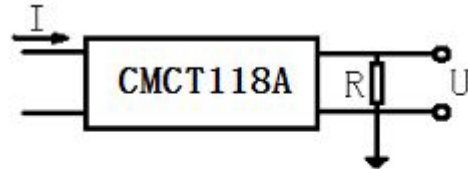


Figure I



$$U = \frac{I}{2000} \cdot R$$

I: input current
R: sampling resistor
U: sampling voltage

Figure II

1. CMCT118A used for measurement. Typical usage is shown in Figure 1 and Figure 2. R is a sampling resistor.
2. Empty pin can not be grounded.